

# T1UNV012V-60LG

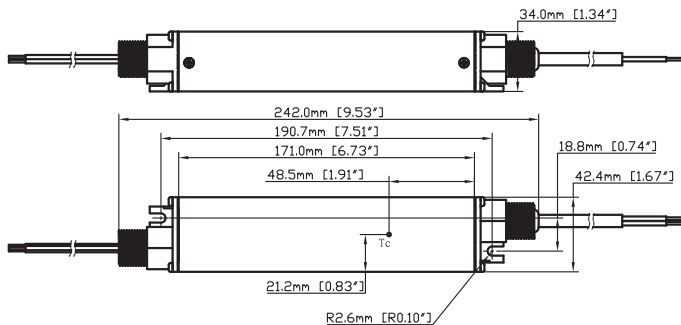
## Constant Voltage LED Driver

- Input Voltage: 100 - 277VAC 50/60Hz
- Output Voltage: 12VDC
- Output Current: 5A Max.
- Output Power: 60W Max.

### General Specifications

Input Voltage / Frequency	100 - 277VAC 50/60Hz
Input Current	0.74A @100VAC, 0.27A @277VAC
Input Power	72W
Power Factor	>0.9
THD	<20%
Efficiency	>82% @ 120VAC FULL LOAD
Driver Type	Constant Voltage
Output Voltage	12VDC
Output Current Range	0 - 5A Max.
Output Power	60W Max.
Number of Output Channels	1
RFI / EMI	FCC PART 15B CONSUMER, EN55015
Output Type	CLASS 2, LVLE
Ambient Operating Temperature Range	-20°C to 55°C (-4°F to 131°F)
Max Case Temperature at Tc	89°C (192.2°F)
Sound Rating	A
Input Surge Protection	2kV for L-N and 4kV for L/N-G
Protections	Input Current Protection Output Short Circuit Protection Output Open Circuit Protection Output To Ground Short Protection Overload Protection
Approvals / Class	cURus, IP68, CE, RoHS, Dry/Damp/Wet Locations, Type TL/HL, RCM
Service Life	50,000 hours lifetime @Tc 76°C (168.8)
Warranty	5 years @Tc 76°C (168.8) from the date of manufacture when properly installed.

### Mechanical Data



### Wiring Diagrams

INPUT SIDE	LENGTH
BLACK	500 mm [19.7"]
WHITE	500 mm [19.7"]
GREEN/YELLOW	500 mm [19.7"]

OUTPUT SIDE	LENGTH
MULTICORE CABLE RED, BLACK	1500 mm [59"]

