

SPECIFICATION SHEET : T1M1UNV012V-20L IP62

RoHS COMPLIANT



This Is An Original Product From Fulham Co., Inc

Description : 12VDC, 20W Constant Voltage LED Driver with 0-10V dimming. Universal input range of 100-277V. One, 12VDC independent, constant voltage output channel.

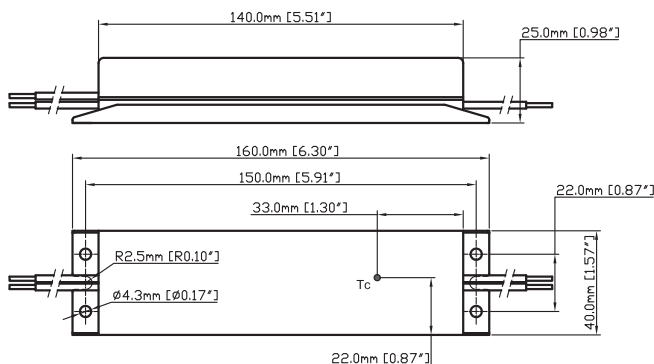
This Driver Will Operate The Following LED Modules:

LED module designed to accept constant voltage input of 12V and has a maximum input current of 1.66A. Note: Constant voltage modules are usually with on-board circuit besides LEDs, the module & driver compatibility check is preferred before any installation. Some of the modules with big input capacitance may lead to the incompatibility with the dimmable driver, contact Fulham for further assistance.

ELECTRICAL DATA

INPUT VOLTAGE	100-277V ± 10%, 50/60Hz
INPUT CURRENT (MAX)	0.25A @ 100V; 0.095A @ 277V
POWER FACTOR (PF)	> 0.9 @ Full Load
THD	≤ 20% @ Full Load
EFFICIENCY	80% typical @ Full Load
DRIVE METHOD	Constant Voltage
OUTPUT VOLTAGE	12VDC
OUTPUT CURRENT (MAX)	1.66A
OUTPUT WATTAGE	20W
NUMBER OF OUTPUT CHANNELS	1
DIMMING CONTROLLER TYPE	0-10V Dimming
DIMMING RANGE	100%-10%
RFI/EMI	FCC PART 15, CLASS B / EN55015
SOUND RATING	A
SURGE PROTECTION	1kV (L to N), 2kV (L/N to GND)
CURRENT PROTECTION	Fuse
OUTPUT SHORT CIRCUIT PROTECTION	Shutdown and auto recovery, no damage
OUTPUT OPEN CIRCUIT PROTECTION	12Vdc
OUTPUT TO GROUND SHORT PROTECTION	Isolated System
OVER LOAD PROTECTION	24.5W Max.
MAX CASE TEMPERATURE (TC)	90°C
AMBIENT TEMPERATURE RANGE	-20°C to +73°C
EXPECTED LIFE	50,000 Hours
APPROVALS/CLASS	cURus Class 2, CE, RoHS, Dry or Damp Locations, Type HL

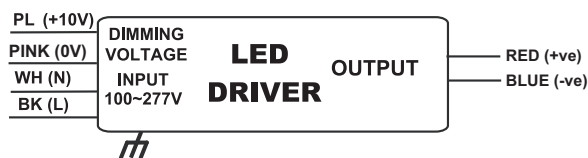
MECHANICAL DATA



WIRING DIAGRAMS

INPUT SIDE	LENGTH	OUTPUT SIDE	LENGTH
BLACK	150mm [6"]	RED	150mm [6"]
WHITE	150mm [6"]	BLUE	150mm [6"]
PINK	150mm [6"]		
PURPLE	150mm [6"]		

Note: Pink or Gray dimming wire provided, use interchangeably.



Fulham extends a limited warranty only to the original purchaser or to the first user for a period of 5 years from the date of manufacture when properly installed and operated under normal conditions of use. For complete terms and conditions, please reference the Fulham product catalog (www.fulham.com) Due to a program of continuous improvement, Fulham reserves the right to make modifications or variations in design or construction to the equipment described.