



Electronic Ballast For Use With UV & Tanning Applications

- Input Voltage/Frequency: 100-277VAC, 50/60Hz
- Load Rating: 17W – 95W per lamp, 100W/85W Max. Load
- 95W Max. lamp load @ 100VAC Input
- 112W Max. lamp load @ 120VAC – 277VAC Input
- Programmable Output Current Range: 340mA - 840mA (±10% Tolerance)
- Customizable Pre-heat Times
- I2C Communication Port
- Lamps ON/OFF LED Indicator Port
- Ballast ON/OFF LED Indicator Port

General Specifications

Input Voltage / Frequency	100-277VAC, 50/60Hz
Max. Line Current	1.12A @100V
Input Power at Full load	112W
Power Factor	>0.9 @≥60W load
THD	≤20% @ ≥60W load
Ballast Efficiency	92% @Full Load (See Figure 1)
Ballast Type	Programmed Rapid Start, Type R.S, Type 1 Outdoor, Type CC, Type HL
Max. Output Voltage / Output Voltage To Ground	300VAC
Load Rating	17 - 95W per lamp, 100W / 85 Max. Load
Number of Lamps	1 or 2
Standard Output Current	800mA (±10% tolerance)
Programmable Output Current Range	340mA - 840mA (+/- 10% tolerance of set current)
Lamp Type	T5/PL-L/T8
Lamp Wiring Method	Series Connection (when one lamp fails both lamps will turn off)
Lamp Operating Frequency	>=40KHZ
Lamp Current Crest Factor	<1.7
Number of Lamps Starts	10,000-15,000
Lamp Preheat Time	2 Seconds *** (customization through communication port using SHS-DISP and Fulham software.)
Remote Operation	30ft (9.144m)
Ambient Temperature	-20°C (-4°F) to 60°C (140°F)
Max. Case Temperature	85°C
Lamp ON/OFF Indicator Connection / Recommended Type	Yes / LED Type: 3V / 5mA min.
Case Dimensions	L 6.77" x W 3.02" x H 1.27" (172mm x 76.7mm x 32.2mm)
Connectors or Wires	Push in Connectors (Use 14-20AWG solid copper wire stripped to 3/8")
Weight	0.73KG
Approvals / Standards	UL/cUL Listed, CE/CB, PSE, FCC, RoHS UL 935, USA (ANSI/IEEE C62.41) J61347-2-3(H25), J61347-1(H29), EN/IEC 61347-2-7, EN/IEC 61347-1, EN/IEC 55015, EN 61547, EN 61000-3-3 EN61000-3-2, CSA C22.2 No.74
IP Rating	IP20
RFI / EMI	FCC Part 18B / FCC Part 15B / EN55015/J55015(H29)
Protections	Open Circuit Protection , Output Shortage Protection Fuse Protection End of Life Protection
Max Lamp Load Power	85W Max. @ 340mA – 840mA @ 100VAC Input 100W Max. @ 340mA – 840mA @ 120VAC – 277VAC Input
Communication Port / Type	RJ12 / I ² C
**Soft Start Capable	Yes (through ON/OFF ports using a dry contact switch or using SHS-DISP display)
Lamps ON / OFF LED Indicator Port	Yes
Ballast ON / OFF LED Indicator Port	Yes
Programmable Lamp Hour Counter	Yes (through SHS-DISP display)
Programming Device	TPSB-100 or using SHS-DISP display
Sound Rating	A
Service Life	50,000 hours lifetime @ Tc 70°C(158°F)
Warranty	5 Years @ Tc 70°C(158°F) from the date of manufacture when properly installed.

**ON/OFF to ballast output without removing AC input.

***Lamp pre-heat time changes should be reviewed with and approved by the lamp manufacturer for optimal lamp life and performance.

Failure to do so may result in damage to the lamp.



WARNING

This product may utilize Germicidal Ultraviolet (UV-C) Lamps. Germicidal ultraviolet rays are harmful to the eyes and skin. Avoid exposure to direct or reflected germicidal ultraviolet rays. Follow all the other safety instructions according to installation sheet.

Lamp List Electrical Data - UV Lamps - 800mA

Electrical Data @100VAC 50/60Hz

Lamp Wattage / Type	Lamps Operated	Input Wattage	Input Current	Power Factor	Ballast Factor	Efficacy Factor	THD
GHO287T5L	1	27.85	0.28	0.987	0.952	3.59	12.39
	2	56.96	0.57	0.996	0.956	1.76	8.05
GHO357T5L/RPT	1	38.01	0.38	0.992	0.956	2.63	10.29
	2	69.42	0.70	0.997	0.963	1.44	7.06
GHO457T5	1						
	2						
TUV PL-L 60W/4P HO	1	78.54	0.79	0.997	0.986	1.27	6.71
	2	N/A	N/A	N/A	N/A	N/A	N/A
GHO610T5	1	61.80	0.62	0.997	0.971	1.62	6.81
	2	N/A	N/A	N/A	N/A	N/A	N/A
GPH843T5L/HO (GHO36T5L)	1	80.85	0.81	0.997	0.977	1.24	6.60
	2	N/A	N/A	N/A	N/A	N/A	N/A
GPH846T5L/HO/4P	1	89.17	0.90	0.998	0.989	1.12	6.30
	2	N/A	N/A	N/A	N/A	N/A	N/A
TUV PL-L95W/4P HO	1	100.15	1.00	0.998	0.987	1.00	5.95
	2	N/A	N/A	N/A	N/A	N/A	N/A
GHO893T5L/4P (GPH893T5L/HO/4P)	1	89.71	0.90	0.998	0.997	1.11	5.57
	2	N/A	N/A	N/A	N/A	N/A	N/A

Electrical Data @120VAC 50/60Hz

Lamp Wattage / Type	Lamps Operated	Input Wattage	Input Current	Power Factor	Ballast Factor	Efficacy Factor	THD
GHO287T5L	1	27.74	0.24	0.980	0.952	3.61	13.45
	2	56.45	0.47	0.994	0.957	1.77	8.83
GHO357T5L/RPT	1	37.82	0.32	0.988	0.956	2.64	11.24
	2	68.87	0.58	0.995	0.963	1.45	7.70
GHO457T5	1						
	2						
TUV PL-L 60W/4P HO	1	77.72	0.65	0.996	0.987	1.29	7.30
	2	N/A	N/A	N/A	N/A	N/A	N/A
GHO610T5	1	92.72	0.78	0.997	1.012	1.08	6.67
	2	N/A	N/A	N/A	N/A	N/A	N/A
GPH843T5L/HO (GHO36T5L)	1	80.13	0.67	0.996	0.976	1.25	7.18
	2	N/A	N/A	N/A	N/A	N/A	N/A
GPH846T5L/HO/4P	1	88.13	0.74	0.997	0.988	1.13	6.79
	2	N/A	N/A	N/A	N/A	N/A	N/A
TUV PL-L95W/4P HO	1	98.96	0.83	0.997	0.988	1.01	6.36
	2	N/A	N/A	N/A	N/A	N/A	N/A
GHO893T5L/4P (GPH893T5L/HO/4P)	1	88.60	0.74	0.997	0.996	1.13	5.96
	2	N/A	N/A	N/A	N/A	N/A	N/A



Lamp List Electrical Data - UV Lamps - 800mA

Electrical Data @230VAC 50/60Hz

Lamp Wattage / Type	Lamps Operated	Input Wattage	Input Current	Power Factor	Ballast Factor	Efficacy Factor	THD
GHO287T5L	1	28.22	0.14	0.901	0.953	3.54	16.21
	2	56.23	0.25	0.956	0.958	1.78	12.90
GHO357T5L/RPT	1	38.01	0.18	0.936	0.957	2.63	15.03
	2	68.16	0.30	0.974	0.964	1.47	11.76
GHO457T5	1						
	2						
TUV PL-L 60W/4P HO	1	76.67	0.34	0.978	0.987	1.30	11.27
	2	N/A	N/A	N/A	N/A	N/A	N/A
GHO610T5	1	91.06	0.40	0.983	1.012	1.10	10.46
	2	N/A	N/A	N/A	N/A	N/A	N/A
GPH843T5L/HO (GHO36T5L)	1	78.86	0.35	0.979	0.977	1.27	11.12
	2	N/A	N/A	N/A	N/A	N/A	N/A
GPH846T5L/HO/4P	1	86.74	0.38	0.982	0.990	1.15	10.64
	2	N/A	N/A	N/A	N/A	N/A	N/A
TUV PL-L95W/4P HO	1	97.13	0.43	0.985	0.997	1.03	10.08
	2	N/A	N/A	N/A	N/A	N/A	N/A
GHO893T5L/4P (GPH893T5L/HO/4P)	1	87.32	0.39	0.979	0.996	1.15	9.45
	2	N/A	N/A	N/A	N/A	N/A	N/A

Electrical Data @277VAC 50/60Hz

Lamp Wattage / Type	Lamps Operated	Input Wattage	Input Current	Power Factor	Ballast Factor	Efficacy Factor	THD
GHO287T5L	1	28.81	0.13	0.783	0.952	3.47	17.18
	2	56.57	0.22	0.919	0.957	1.77	14.12
GHO357T5L/RPT	1	38.60	0.17	0.836	0.957	2.59	19.32
	2	68.38	0.26	0.940	0.964	1.46	13.19
GHO457T5	1						
	2						
TUV PL-L 60W/4P HO	1	76.85	0.29	0.950	0.987	1.30	12.70
	2	N/A	N/A	N/A	N/A	N/A	N/A
GHO610T5	1	91.07	0.34	0.962	1.013	1.10	11.87
	2	N/A	N/A	N/A	N/A	N/A	N/A
GPH843T5L/HO (GHO36T5L)	1	78.97	0.30	0.952	0.977	1.27	12.55
	2	N/A	N/A	N/A	N/A	N/A	N/A
GPH846T5L/HO/4P	1	86.83	0.33	0.959	0.987	1.15	12.07
	2	N/A	N/A	N/A	N/A	N/A	N/A
TUV PL-L95W/4P HO	1	97.14	0.36	0.966	0.997	1.03	11.49
	2	N/A	N/A	N/A	N/A	N/A	N/A
GHO893T5L/4P (GPH893T5L/HO/4P)	1	87.19	0.33	0.959	0.998	1.15	11.4
	2	N/A	N/A	N/A	N/A	N/A	N/A

Online Lamp List and Wiring Diagram:

<https://www.fulham.com/contact-us/wiring-diagrams/>

Scan QR code to be directed to
lamp chart and wiring-diagram.





Lamp List Electrical Data - UV Lamps - 340mA

Electrical Data @100VAC 50/60Hz

Lamp Wattage / Type	Lamps Operated	Input Wattage	Input Current	Power Factor	Ballast Factor	Efficacy Factor	THD
UVC 15W G13	1	20.14	0.21	0.981	0.999	4.96	13.41
	2	39.55	0.40	0.994	1.003	2.53	8.87

Electrical Data @120VAC 50/60Hz

Lamp Wattage / Type	Lamps Operated	Input Wattage	Input Current	Power Factor	Ballast Factor	Efficacy Factor	THD
UVC 15W G13	1	20.13	0.17	0.968	1.002	4.97	14.55
	2	39.37	0.33	0.989	1.003	2.54	9.81

Electrical Data @230VAC 50/60Hz

Lamp Wattage / Type	Lamps Operated	Input Wattage	Input Current	Power Factor	Ballast Factor	Efficacy Factor	THD
UVC 15W G13	1	20.84	0.11	0.797	0.996	4.80	19.10
	2	39.48	0.18	0.940	1.004	2.53	13.95

Electrical Data @277VAC 50/60Hz

Lamp Wattage / Type	Lamps Operated	Input Wattage	Input Current	Power Factor	Ballast Factor	Efficacy Factor	THD
UVC 15W G13	1	21.11	0.11	0.673	0.997	4.74	29.46
	2	40.11	0.18	0.818	1.003	2.49	17.74

Online Lamp List and Wiring Diagram:

<https://www.fulham.com/contact-us/wiring-diagrams/>

Scan QR code to be directed to lamp chart and wiring diagram.





Lamp List Electrical Data - UV Lamps - 370mA

Electrical Data @100VAC 50/60Hz

Lamp Wattage / Type	Lamps Operated	Input Wattage	Input Current	Power Factor	Ballast Factor	Efficacy Factor	THD
UVC 30W G13	1	37.07	0.37	0.992	1.010	2.7	10.16
	2	74.2	0.75	0.997	1.008	1.35	6.62

Electrical Data @120VAC 50/60Hz

Lamp Wattage / Type	Lamps Operated	Input Wattage	Input Current	Power Factor	Ballast Factor	Efficacy Factor	THD
UVC 30W G13	1	36.91	0.31	0.987	1.009	2.71	11.17
	2	73.62	0.62	0.996	1.010	1.36	7.32

Electrical Data @230VAC 50/60Hz

Lamp Wattage / Type	Lamps Operated	Input Wattage	Input Current	Power Factor	Ballast Factor	Efficacy Factor	THD
UVC 30W G13	1	37.10	0.17	0.934	1.010	2.70	14.83
	2	72.84	0.32	0.977	1.008	1.37	11.46

Electrical Data @277VAC 50/60Hz

Lamp Wattage / Type	Lamps Operated	Input Wattage	Input Current	Power Factor	Ballast Factor	Efficacy Factor	THD
UVC 30W G13	1	37.69	0.16	0.841	1.008	2.65	18.85
	2	72.98	0.28	0.946	1.009	1.37	12.87

Online Lamp List and Wiring Diagram:

<https://www.fulham.com/contact-us/wiring-diagrams/>

Scan QR code to be directed to lamp chart and wiring-diagram.





RoHS
COMPLIANT



Lamp List Electrical Data - UV Lamps - 425mA

Electrical Data @100VAC 50/60Hz

Lamp Wattage / Type	Lamps Operated	Input Wattage	Input Current	Power Factor	Ballast Factor	Efficacy Factor	THD
GPH357T5L	1	22.01	0.22	0.982	0.997	4.54	13.88
	2	N/A	N/A	N/A	N/A	N/A	N/A
GPH430T5L	1	26.42	0.27	0.986	1.004	3.78	12.46
	2	53.08	0.53	0.996	1.012	1.88	8.07
GPH436T5L	1	26.38	0.27	0.985	0.976	3.79	13.63
	2	54.14	0.54	0.996	1.010	1.85	7.97
GPH540T5L (G24T5L)	1	32.18	0.33	0.990	1.008	3.11	11.07
	2	65.68	0.66	0.997	1.013	1.52	7.02
TUV PL-L 36W	1	46.45	0.47	0.995	1.018	2.15	8.05
	2	94.65	0.95	0.998	1.014	1.06	5.47
UVC 36W G13	1	46.41	0.47	0.994	1.159	2.15	8.80
	2	N/A	N/A	N/A	N/A	N/A	N/A
GPH793T5L	1	47.12	0.47	0.995	1.010	2.12	8.69
	2	95.97	0.96	0.998	1.013	1.04	5.72
GPH843T5L	1	80.85	0.81	0.997	1.237	1.24	6.60
	2	N/A	N/A	N/A	N/A	N/A	N/A
GPH1148T5L (G48T5L)	1	66.71	0.67	0.997	1.013	1.50	6.99
	2	N/A	N/A	N/A	N/A	N/A	N/A
GPH1554T5L (G64T5/4P)	1	86.77	0.87	0.998	1.013	1.15	5.68
	2	N/A	N/A	N/A	N/A	N/A	N/A
GPH1630T5L (G67T5L)	1	93.84	0.94	0.998	1.013	1.07	6.19
	2	N/A	N/A	N/A	N/A	N/A	N/A

Electrical Data @120VAC 50/60Hz

Lamp Wattage / Type	Lamps Operated	Input Wattage	Input Current	Power Factor	Ballast Factor	Efficacy Factor	THD
GPH357T5L	1	22.00	0.19	0.971	0.997	4.54	14.99
	2	N/A	N/A	N/A	N/A	N/A	N/A
GPH430T5L	1	26.32	0.22	0.978	1.003	3.80	13.57
	2	52.72	0.44	0.993	1.012	1.90	8.92
GPH436T5L	1	26.54	0.23	0.977	0.976	3.77	14.34
	2	53.83	0.45	0.993	1.010	1.86	8.81
GPH540T5L (G24T5L)	1	32.05	0.27	0.984	1.008	3.12	12.11
	2	65.15	0.55	0.995	1.013	1.53	7.74
TUV PL-L 36W	1	46.07	0.39	0.992	1.015	2.17	8.80
	2	93.31	0.78	0.998	1.014	1.07	5.81
UVC 36W G13	1	46.14	0.39	0.991	1.016	2.17	9.71
	2	N/A	N/A	N/A	N/A	N/A	N/A
GPH793T5L	1	46.47	0.39	0.990	1.011	2.15	10.76
	2	94.87	0.79	0.997	1.012	1.05	6.26
GPH843T5L	1	80.13	0.67	0.996	1.248	1.25	7.18
	2	N/A	N/A	N/A	N/A	N/A	N/A
GPH1148T5L (G48T5L)	1	66.13	0.55	0.995	1.013	1.51	7.74
	2	N/A	N/A	N/A	N/A	N/A	N/A
GPH1554T5L (G64T5/4P)	1	85.94	0.72	0.997	1.015	1.16	6.10
	2	N/A	N/A	N/A	N/A	N/A	N/A
GPH1630T5L (G67T5L)	1	92.72	0.78	0.997	1.012	1.08	6.67
	2	N/A	N/A	N/A	N/A	N/A	N/A



Lamp List Electrical Data - UV Lamps - 425mA

Electrical Data @230VAC 50/60Hz

Lamp Wattage / Type	Lamps Operated	Input Wattage	Input Current	Power Factor	Ballast Factor	Efficacy Factor	THD
GPH357T5L	1	22.54	0.12	0.848	0.997	4.44	16.48
	2	N/A	N/A	N/A	N/A	N/A	N/A
GPH430T5L	1	26.73	0.13	0.894	1.004	3.74	15.75
	2	52.45	0.24	0.962	1.013	1.91	13.02
GPH436T5L	1	26.96	0.13	0.893	0.976	3.71	15.57
	2	53.55	0.24	0.963	1.011	1.87	12.94
GPH540T5L (G24T5L)	1	32.36	0.15	0.919	1.008	3.09	15.36
	2	64.54	0.29	0.972	1.012	1.55	11.94
TUV PL-L 36W	1	45.86	0.21	0.953	1.014	2.18	13.04
	2	92.02	0.41	0.985	1.016	1.09	9.48
UVC 36W G13	1	46.09	0.21	0.953	1.017	2.17	13.73
	2	N/A	N/A	N/A	N/A	N/A	N/A
GPH793T5L	1	46.42	0.21	0.953	1.011	2.15	13.67
	2	93.21	0.41	0.984	1.012	1.07	10.20
GPH843T5L	1	78.86	0.35	0.980	0.997	1.27	11.12
	2	N/A	N/A	N/A	N/A	N/A	N/A
GPH1148T5L (G48T5L)	1	65.44	0.29	0.973	1.013	1.53	11.90
	2	N/A	N/A	N/A	N/A	N/A	N/A
GPH1554T5L (G64T5/4P)	1	84.60	0.37	0.982	1.014	1.18	9.92
	2	N/A	N/A	N/A	N/A	N/A	N/A
GPH1630T5L (G67T5L)	1	91.06	0.40	0.983	1.012	1.10	10.46
	2	N/A	N/A	N/A	N/A	N/A	N/A

Electrical Data @277VAC 50/60Hz

Lamp Wattage / Type	Lamps Operated	Input Wattage	Input Current	Power Factor	Ballast Factor	Efficacy Factor	THD
GPH357T5L	1	22.94	0.12	0.706	0.997	4.36	23.79
	2	N/A	N/A	N/A	N/A	N/A	N/A
GPH430T5L	1	27.39	0.13	0.771	1.004	3.65	16.03
	2	52.78	0.21	0.911	1.012	1.89	14
GPH436T5L	1	27.47	0.13	0.767	0.976	3.64	16.31
	2	53.84	0.21	0.913	1.010	1.86	13.99
GPH540T5L (G24T5L)	1	32.92	0.15	0.815	1.008	3.04	18.29
	2	64.79	0.25	0.935	1.013	1.54	13.34
TUV PL-L 36W	1	46.29	0.19	0.881	1.016	2.16	14.04
	2	92.08	0.35	0.963	1.014	1.09	11.05
UVC 36W G13	1	46.53	0.19	0.880	1.017	2.15	14.09
	2	N/A	N/A	N/A	N/A	N/A	N/A
GPH793T5L	1	46.79	0.19	0.892	1.011	2.14	13.88
	2	93.19	0.35	0.964	1.012	1.07	11.56
GPH843T5L	1	78.97	0.30	0.952	1.266	1.27	12.55
	2	N/A	N/A	N/A	N/A	N/A	N/A
GPH1148T5L (G48T5L)	1	65.69	0.25	0.936	1.013	1.52	13.24
	2	N/A	N/A	N/A	N/A	N/A	N/A
GPH1554T5L (G64T5/4P)	1	84.69	0.32	0.957	1.015	1.18	11.54
	2	N/A	N/A	N/A	N/A	N/A	N/A
GPH1630T5L (G67T5L)	1	91.07	0.34	0.962	1.013	1.10	11.87
	2	N/A	N/A	N/A	N/A	N/A	N/A

Online Lamp List and Wiring Diagram:
<https://www.fulham.com/contact-us/wiring-diagrams/>

Scan QR code to be directed to
 lamp chart and wiring-diagram.





Lamp List Electrical Data - UV Lamps - 600mA

Electrical Data @100VAC 50/60Hz

Lamp Wattage / Type	Lamps Operated	Input Wattage	Input Current	Power Factor	Ballast Factor	Efficacy Factor	THD
UVC 25W G13	1	29.69	0.30	0.990	0.984	3.37	10.61
	2	55.37	0.56	0.996	0.965	1.81	7.21

Electrical Data @120VAC 50/60Hz

Lamp Wattage / Type	Lamps Operated	Input Wattage	Input Current	Power Factor	Ballast Factor	Efficacy Factor	THD
UVC 25W G13	1	29.58	0.25	0.983	0.982	3.38	11.67
	2	54.89	0.46	0.994	0.964	1.82	7.92

Electrical Data @230VAC 50/60Hz

Lamp Wattage / Type	Lamps Operated	Input Wattage	Input Current	Power Factor	Ballast Factor	Efficacy Factor	THD
UVC 25W G13	1	29.45	0.15	0.878	0.981	3.40	15.53
	2	54.10	0.24	0.963	0.961	1.85	12.19

Electrical Data @277VAC 50/60Hz

Lamp Wattage / Type	Lamps Operated	Input Wattage	Input Current	Power Factor	Ballast Factor	Efficacy Factor	THD
UVC 25W G13	1	30.57	0.14	0.794	0.983	3.27	18.45
	2	55.12	0.22	0.915	0.964	1.81	13.56

Online Lamp List and Wiring Diagram:

<https://www.fulham.com/contact-us/wiring-diagrams/>

Scan QR code to be directed to lamp chart and wiring-diagram.





RoHS
COMPLIANT



Lamp List Electrical Data - UV Lamps - 600mA

Electrical Data @100VAC 50/60Hz

Lamp Wattage / Type	Lamps Operated	Input Wattage	Input Current	Power Factor	Ballast Factor	Efficacy Factor	THD
UVC 75W G13	1	78.64	0.79	0.998	0.980	1.27	6.38
	2						

Electrical Data @120VAC 50/60Hz

Lamp Wattage / Type	Lamps Operated	Input Wattage	Input Current	Power Factor	Ballast Factor	Efficacy Factor	THD
UVC 75W G13	1	77.86	0.65	0.996	0.979	1.28	7.05
	2	N/A	N/A	N/A	N/A	N/A	N/A

Electrical Data @230VAC 50/60Hz

Lamp Wattage / Type	Lamps Operated	Input Wattage	Input Current	Power Factor	Ballast Factor	Efficacy Factor	THD
UVC 75W G13	1	76.89	0.34	0.979	0.980	1.30	11.17
	2	N/A	N/A	N/A	N/A	N/A	N/A

Electrical Data @277VAC 50/60Hz

Lamp Wattage / Type	Lamps Operated	Input Wattage	Input Current	Power Factor	Ballast Factor	Efficacy Factor	THD
UVC 75W G13	1	77.26	0.29	0.951	0.981	1.29	12.55
	2	N/A	N/A	N/A	N/A	N/A	N/A

Online Lamp List and Wiring Diagram:

<https://www.fulham.com/contact-us/wiring-diagrams/>

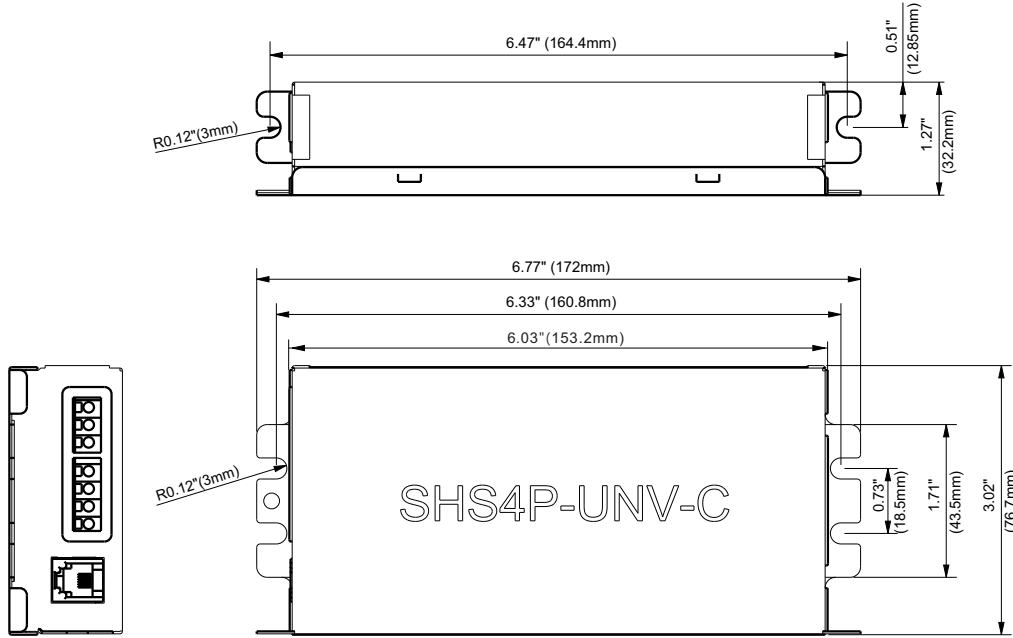
Scan QR code to be directed to lamp chart and wiring-diagram.



SHS4P-UNV-C

Mechanical Data

Overall Dimensions	
Length	6.77" [172mm]
Width	3.02" [76.7mm]
Height	1.27" [32.2mm]
Mounting	6.33" [160.8mm]



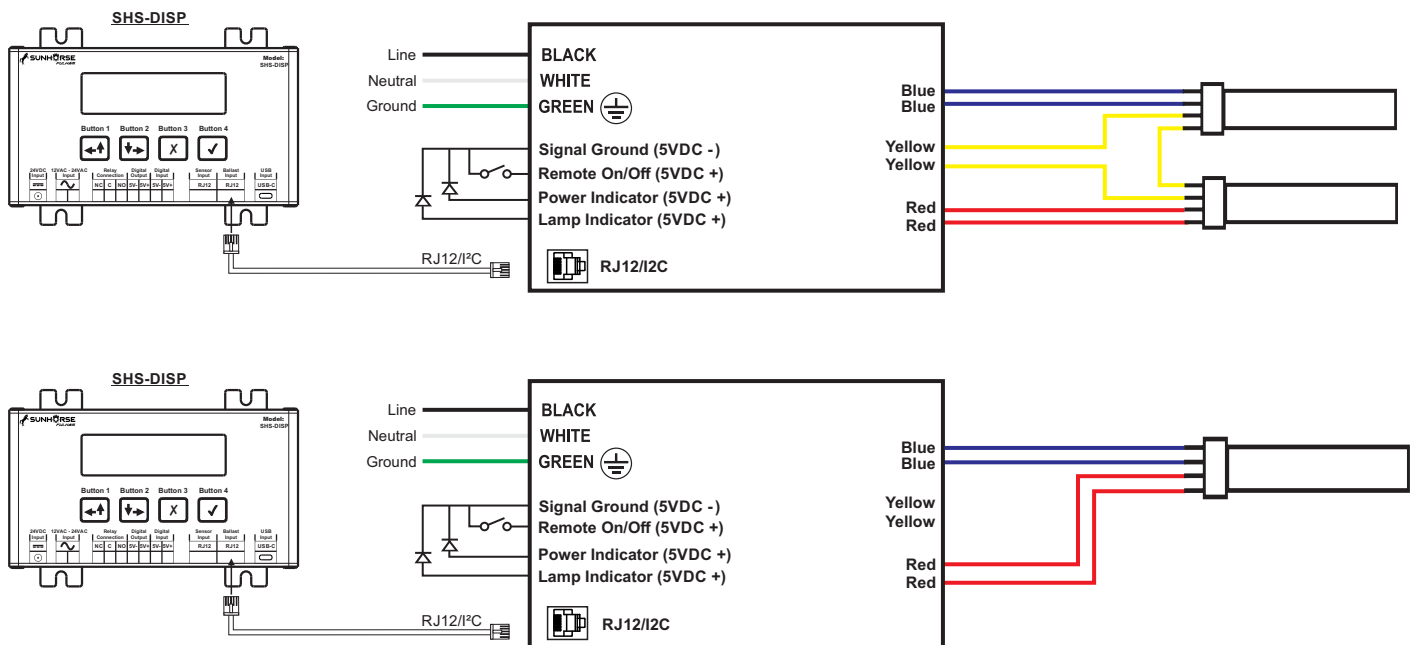
Side View: Input

Side View: Output

Where : L = Length, W = Width, H = Height

±0.01" Tolerance

Wiring Diagram



Note:

- 1.) This ballast must be grounded.
- 2.) Use 18AWG solid copper wire stripped to 3/8" with ballast push in connectors.
- 3.) Recommend LED Type: 5mm or 3mm (3V/ 5mA)



Guidelines

Factory Programming

- For currents other than the default 800mA, factory programming is available upon request and minimum order quantities (MOQ's) may apply.
 - Factory Output Current Range: 340mA - 840mA ($\pm 10\%$ tolerance of set current)
 - Fulham must approve any lamp/ballast combination not currently listed for operation in this spec sheet. Failure to do so may result in voidance of warranty.
 - This ballast is UL Listed and approved only for the lamps listed in the "UL Lamp List Electrical Data" sections. Additional UL verification testing will be needed to UL List lamps not already listed. Please contact Fulham for further information.

Grounding

- Ballast must be grounded by means of the driver case or driver ground terminal.

Short Circuit Protection

- Output latches off.

No-load Operation and Protection

- Output latches off.

Remote Mounting

- Up to 30ft with 18AWG.

Service life / Lifetime

- 50,000 hours at $T_c = 70^\circ\text{C}$ (158°F)

Warranty

- Reference Fulham's limited Warranty: <https://cdn.fulham.com/PDFs/Limited-Warranty.pdf>

TPSB-100 and SHS-DISP Information

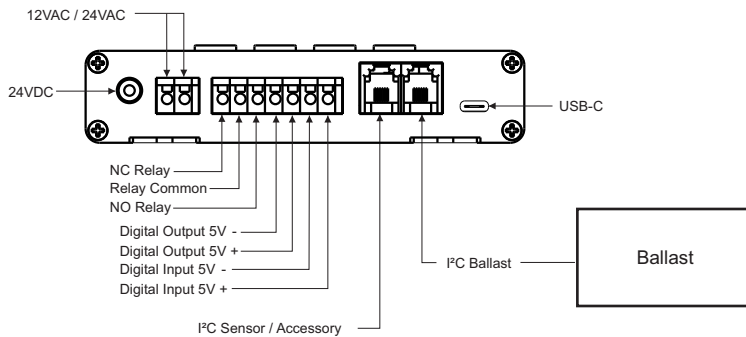
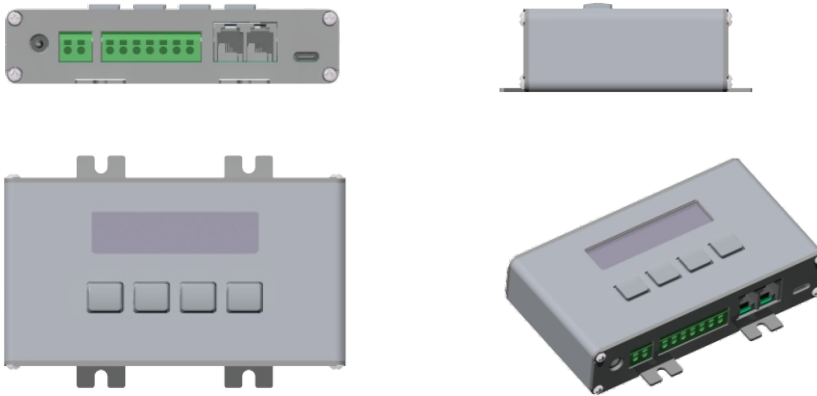
TPSB-100 Programming Controller

Please consult the user manual for instructions on using the TPSB-100 SmartSet programming controller.



- <https://www.fulham.com/PDFs/SpecSheets/TPSB-100-2017-765.pdf>

SHS-DISP display and communication device





Part Number Matrix

SH

Product Line

SH = SunHorse

S

Ballast Type

S = Standard

4

Ballast Order Number

P

Programmable

P = Programmable

UNV

Input Voltage

UNV = 100V~277V

C

Case Type

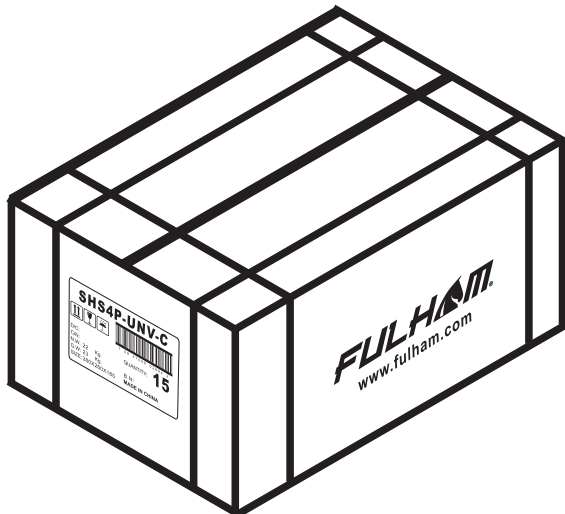
C = Compact

Product Image



Packaging

Master Carton



OUTER DIMENSION		
L	W	H
16"(406.4mm)	10.5"(266.7mm)	7.75"(196.85mm)
Net Weight	Gross Weight	QUANTITY
31bs. (14.06kg.)	29.15bs. (13.22kg)	18pcs.