

SHS2-MLT-L

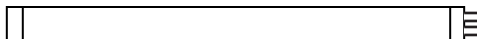
Electronic Ballast For Use With UV & Tanning Applications

This Ballast Will Operate Following Lamps:

1 X 10-41W T5, 425mA UV LAMPS

OR

1 X GPH212T5L, GPH287T5L, GPH303T5L,
GPH357T5L, GPH436T5L, GPH793T5L, GPH843T5L



General Specifications

Input Voltage	120 - 240VAC ±10%, 50 / 60Hz
Lamps Operated	1 Lamp
EMI / RFI Compliance	FCC Part 18-B
Sound Rating	" A "
Ballast Type	Pre-Heated Start
Voltage Transients	ANSI/IEEE C62.41 Class A
Input Protection	Fuse
Output Protection	EOL
Min. Operating Temp	0°C (32°F)
Max. Case Temp	75°C (167°F)
Power Factor Corrected	@240V When using lamp types has rated power less that 21W
Approvals Class	UL / cUL Listed, Class "P", Outdoor Type 1, Type "CC", Type "HL", CE
Warranty	5 Years from the date of manufacture when properly installed

Electrical Data @120VAC

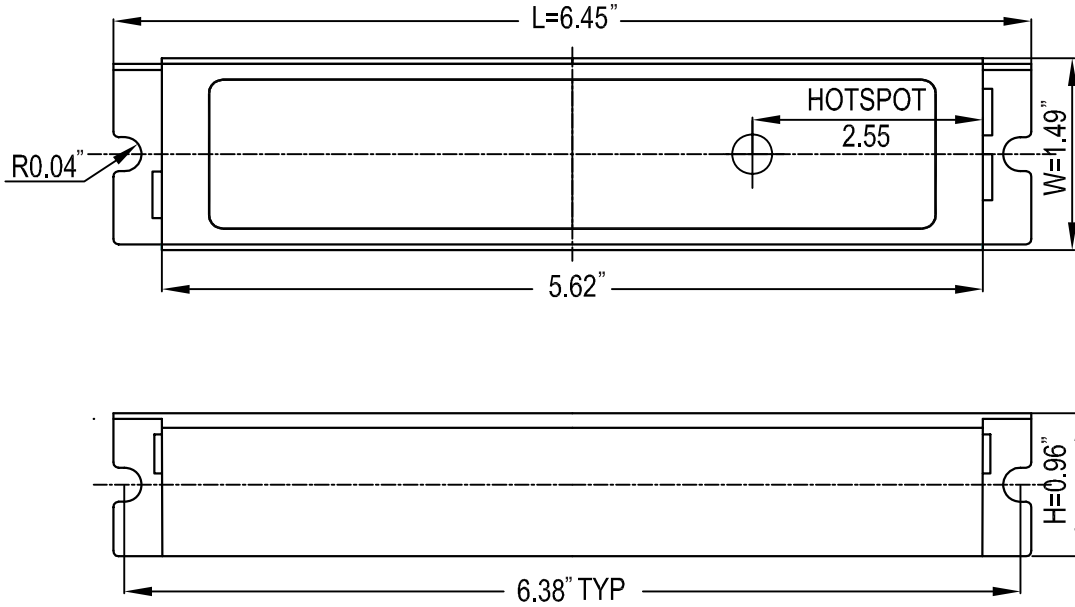
Lamp Wattage / Type	Lamps Operated	Input Wattage	Line Current	Power Factor	THD
GPH212T5L	1	12	0.10	>0.98	<15%
GPH287T5L	1	17	0.14	>0.99	<15%
GPH303T5L	1	17	0.14	>0.99	<15%
GPH357T5L	1	21	0.17	>0.99	<10%
GPH436T5L	1	25	0.21	>0.99	<10%
GPH793T5L	1	39	0.32	>0.99	<10%
GPH843T5L	1	40	0.33	>0.99	<10%

Electrical Data @240VAC

Lamp Wattage / Type	Lamps Operated	Input Wattage	Line Current	Power Factor	THD
GPH212T5L	1	13	0.07	>0.74	<15%
GPH287T5L	1	16	0.08	>0.81	<10%
GPH303T5L	1	16	0.08	>0.82	<10%
GPH357T5L	1	20	0.10	>0.87	<10%
GPH436T5L	1	24	0.10	>0.90	<10%
GPH793T5L	1	38	0.16	>0.96	<10%
GPH843T5L	1	38	0.16	>0.96	<10%

SHS2-MLT-L

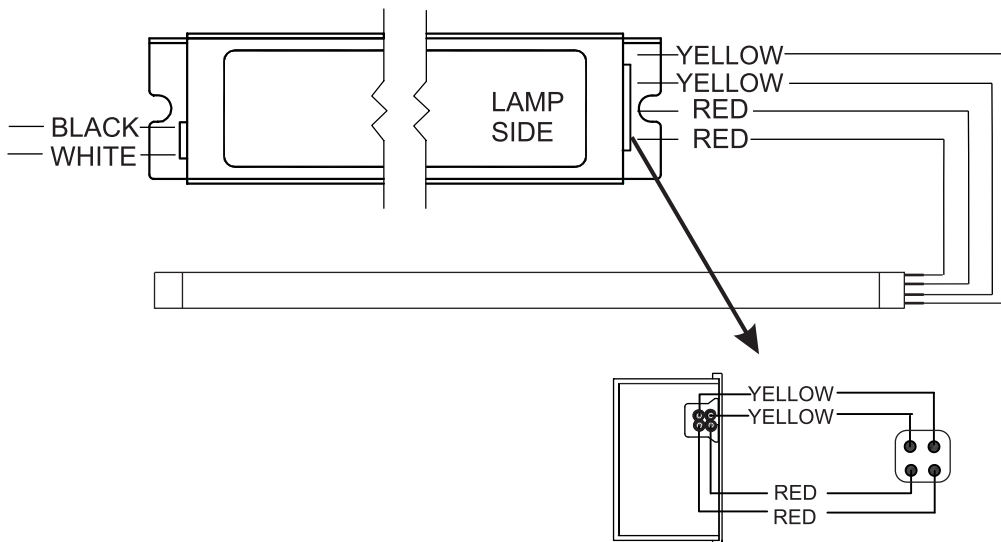
Mechanical Data



Where : L = Length, W = Width, H = Height

±0.02" Tolerance

Wiring Diagram



Wire Color	Length (Inches)
Black	12" ±0.5"
White	12" ±0.5"
Red	14" ±0.5"
Yellow	14" ±0.5"

Note: This ballast case must be grounded