

RHA-UNV-226-K

Description: This Kit contains a Universal Voltage CFL Electronic Ballast, which features Program Start, End-Of-Life Protection (EOL), Flicker-Free Operation, and Auto-Restart. Includes Ballast, Snap-on-plate, Required Wires, Wire Removing Tool, Nuts and Screws. Numerous Applications, such as retrofit down light.

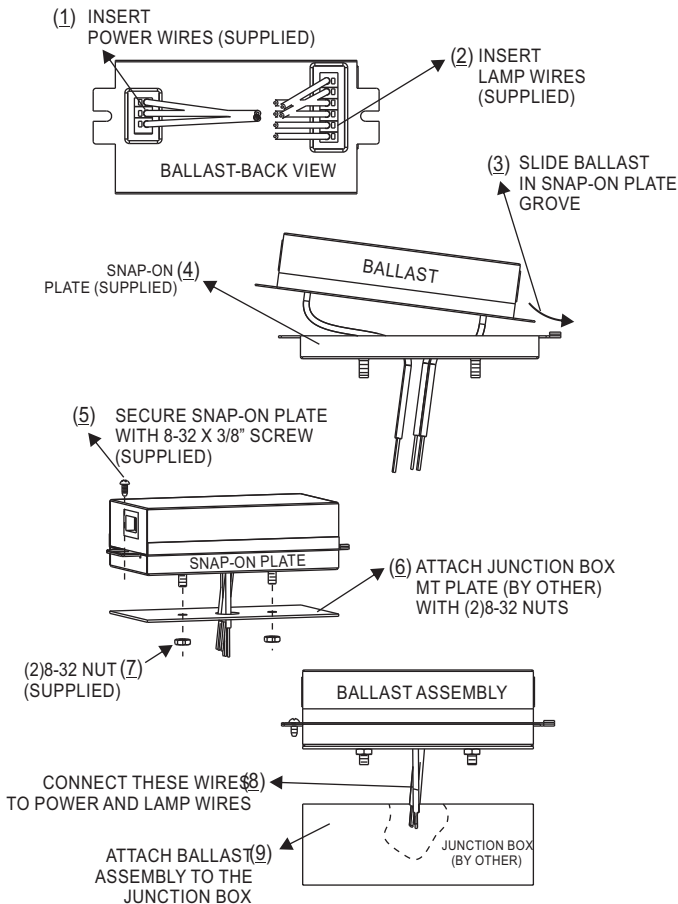
Safety, Warning and Suggestions

(1) Qualified electrician is required to install this product/s. (2) To prevent electrical shock and injury, be sure to disconnect power prior to mounting of this fixture/s. (3) All wiring and installations should meet local, state and national electrical codes. (4) Install correct lamp type and wattage.

List Of Item Enclosed



Installation Instructions



Las Instrucciones En Español.

- 1) insertar los alambres de la energía (proveída).
- 2) insertar los alambres de la lámpara (proveída).
- 3) resbalar el lastre en arboleda.
- 4) placa snap-on (proveída)
- 5) asegurar la placa snap-on con 8-32 x 3/8 " tornillo (proveída).
- 6) unir la placa MT con la caja de ensambladura con (2) 8-32 tuercas.
- 7) (2) tuercas 8-32 (proveída).
- 8) Conecte Estos Alambres Con La Energía y Los Alambres De La Lámpara.
- 9) unir el montaje del lastre a la caja de ensambladura.

L'instruction d'installation en français

- 1) INSÉREZ LES FILS CONDUCTEUR (FOURNIS)
- 2) INSÉREZ LES FILS DE LAMPES (FOURNIS)
- 3) GLISSEZ LE BALLAST DANS LA FENTE DE LA PLQUE "SNAP-ON"
- 4) PLAQUE "SNAP-ON" (FOURNIS)
- 5) VISSEZ LA PLAQUE "SNAP-ON" AVEC DES VIS 8.32X3/8" (FOURNIS)
- 6) INSTALLEZ LA BOITE DE JONCTION A LA PLAQUE DE MONAGE AVEC DES ÉCROUS (2) 8-32
- 7) (2) ÉCROUS 8-32 (FOURNIS)
- 8) RACCORDEZ CES FILS AUX FILS CONDUCTEUR ET AUX FILS DE LAMPES



RoHS
COMPLIANT



RHA-UNV-226-K

Program Start Electronic Ballast

- Input Voltage/Frequency: 120-277VAC,50/60Hz
- Load Rating: 13W-55W per lamp, 55W Max. Load
- Standard Output Current: 300mA (+/- 10% tolerance)

General Specifications

Input Voltage / Frequency	120-277VAC,50/60Hz
Max. Current	0.55A
Load Power	55W max
Power Factor	>0.9 Pin>35W@277V
THD	<20% Pin>40W@277V
Ballast Efficiency	Typically 88%@277V Max Load
Ballast Type	Programmed Pre-Heat Start
Max. Output Voltage / Output Voltage To Ground	279V~
Load Rating	13W-55W per lamp,55W Max. Load
Number of Lamps	1 or 2
Standard Output Current	300mA (+/- 10% tolerance)
Lamp Type	Four pin T5/T5-CR/CFL/PL/T8
Lamp Wiring Method	Series Connection (when one lamp fails both lamps will turn off)
Lamp Operating Frequency	>=42KHz
Lamp Current Crest Factor	<1.8
Number of Lamps Starts	>15,000
Lamp Preheat Time	1.1 Seconds
Remote Operation	30ft (9.144m)
Max.Ambient Temperature	55°C (131°F)
Min.Operating Temperature	-30°C (-22°F)
Max.Case Temperature	90°C (194°F)
Case Dimensions	L 5.06" x W 2.36" x H 0.988" (128.5mm x 60.0mm x 25.1mm)
Connectors or Wires	Push in Connectors (Use 14-20AWG solid copper wire stripped to 3/8")
Weight	0.23Kg(0.507lb)
Approvals / Standards	UL935 (USA) CSA C22.2 NO.74-16/cUL Class P Type R.S Type CC Type 1 Outdoor
IP Rating	IP20
RFI / EMI	FCC Part 18B (Consumer)
Protections	Input Surge Protection Line-Neutral 2.5KV Line & Neutral-Ground 2.5KV Current Protection End of Life Protection
Sound Rating	A
Service Life	50,000 hours lifetime @75°C (167°F)
Warranty	5 years @Tc 75°C (167°F) from the date of manufacture



RoHS
COMPLIANT



RHA-UNV-226-K

Electrical Data

Lamp List Electrical Data - @120VAC

Lamp Wattage / Type	Lamps Operated	Input Wattage	Line Current	Power Factor	Ballast Factor	Efficacy Factor
26CFQ	1	29	0.25	0.993	1.06	3.66
	2	59	0.49	0.992	1.01	1.86
26CFTR	1	28	0.23	0.994	1.06	3.81
	2	54	0.45	0.994	1.01	1.86
32TFCR	1	32	0.27	0.992	0.99	3.10
42CFTR	1	48	0.41	0.991	0.98	2.05
CFT13	1	18	0.15	0.992	1.26	7.17
	2	31	0.26	0.994	1.22	3.99
CFT18	1	18	0.15	0.993	1.02	5.52
	2	35	0.29	0.992	0.97	2.77
CFT24	1	27	0.22	0.991	1.06	3.95
	2	51	0.43	0.992	1.01	1.98
CFT36	1	32	0.27	0.993	0.88	2.58
CFT40	1	44	0.37	0.991	1.23	2.78
CFM57	1	52	0.43	0.993	0.97	1.88
2D21	1	25	0.21	0.992	1.44	5.77
	2	47	0.39	0.992	1.36	2.92
2D28	1	33	0.28	0.991	1.27	3.78
2D38	1	33	0.28	0.992	0.89	2.72
F24T5HO	1	28	0.22	0.983	0.73	2.62
	2	51	0.43	0.990	1.01	1.97
F22WT5CR	1	27	0.23	0.991	1.07	3.92
F40WT5CR	1	40	0.34	0.992	0.99	1.88

Online Lamp List and Wiring Diagram:
<https://www.fulham.com/contact-us/wiring-diagrams/>

Scan QR code to be directed to
 lamp chart and wiring diagram.





RoHS
COMPLIANT



RHA-UNV-226-K

Electrical Data

Lamp List Electrical Data - @277VAC

Lamp Wattage / Type	Lamps Operated	Input Wattage	Line Current	Power Factor	Ballast Factor	Efficacy Factor
26CFQ	1	31	0.12	0.912	0.96	3.11
	2	59	0.22	0.962	1.01	1.72
26CFTR	1	30	0.12	0.911	0.97	3.32
	2	56	0.21	0.951	1.00	1.95
32TFCR	1	34	0.13	0.919	1.07	3.16
42CFTR	1	46	0.17	0.953	1.00	2.19
CFT13	1	18	0.08	0.821	0.99	5.51
	2	31	0.12	0.911	1.22	4.04
CFT18	1	19	0.08	0.859	0.97	5.24
	2	34	0.13	0.991	1.22	2.82
CFT24	1	26	0.11	0.884	1.21	4.70
	2	49	0.20	0.951	1.00	2.05
CFT36	1	33	0.13	0.915	0.87	2.67
CFT40	1	43	0.16	0.941	1.02	3.68
CFM57	1	60	0.22	0.962	1.02	1.89
2D21	1	24	0.12	0.876	1.44	5.77
	2	47	0.18	0.952	1.37	2.93
2D28	1	32	0.12	0.927	0.89	2.76
2D38	1	31	0.12	0.909	0.89	2.73
F24T5HO	1	28	0.11	0.891	0.97	1.31
	2	51	0.19	0.952	1.00	2.00
F22WT5CR	1	24	0.09	0.871	1.07	3.98
F40WT5CR	1	36	0.14	0.920	0.98	2.48

Online Lamp List and Wiring Diagram:
<https://www.fulham.com/contact-us/wiring-diagrams/>

Scan QR code to be directed to
 lamp chart and wiring diagram.

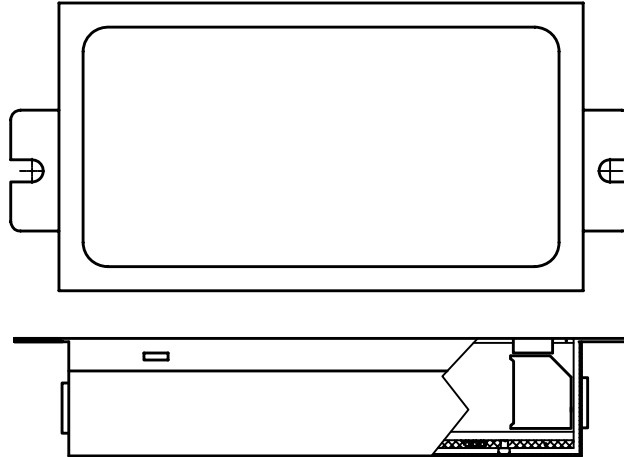



 RoHS
 COMPLIANT

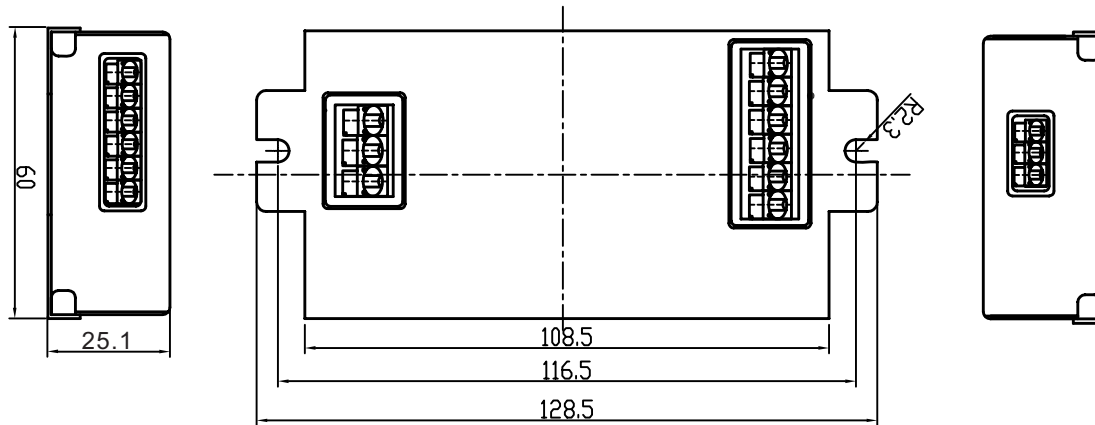
 c **UL** US
 LISTED
 E186503

RHA-UNV-226-K

Mechanical Data



Overall Dimensions	
Length	5.06" [128.5mm]
Width	2.36" [60.0mm]
Height	0.988" [25.1mm]
Mounting	4.59" [116.5mm]



Where : L = Length, W = Width, H = Height

±0.01" Tolerance

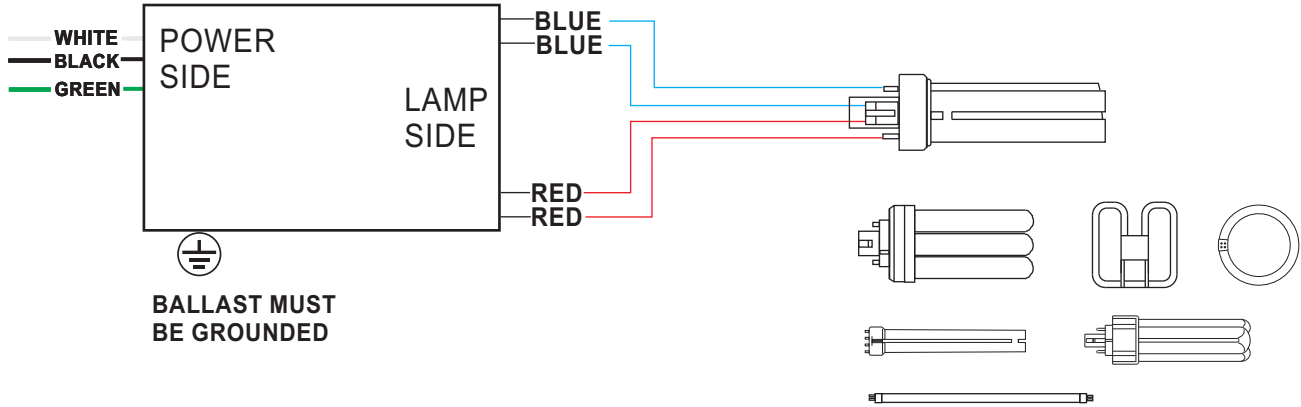


RoHS
COMPLIANT

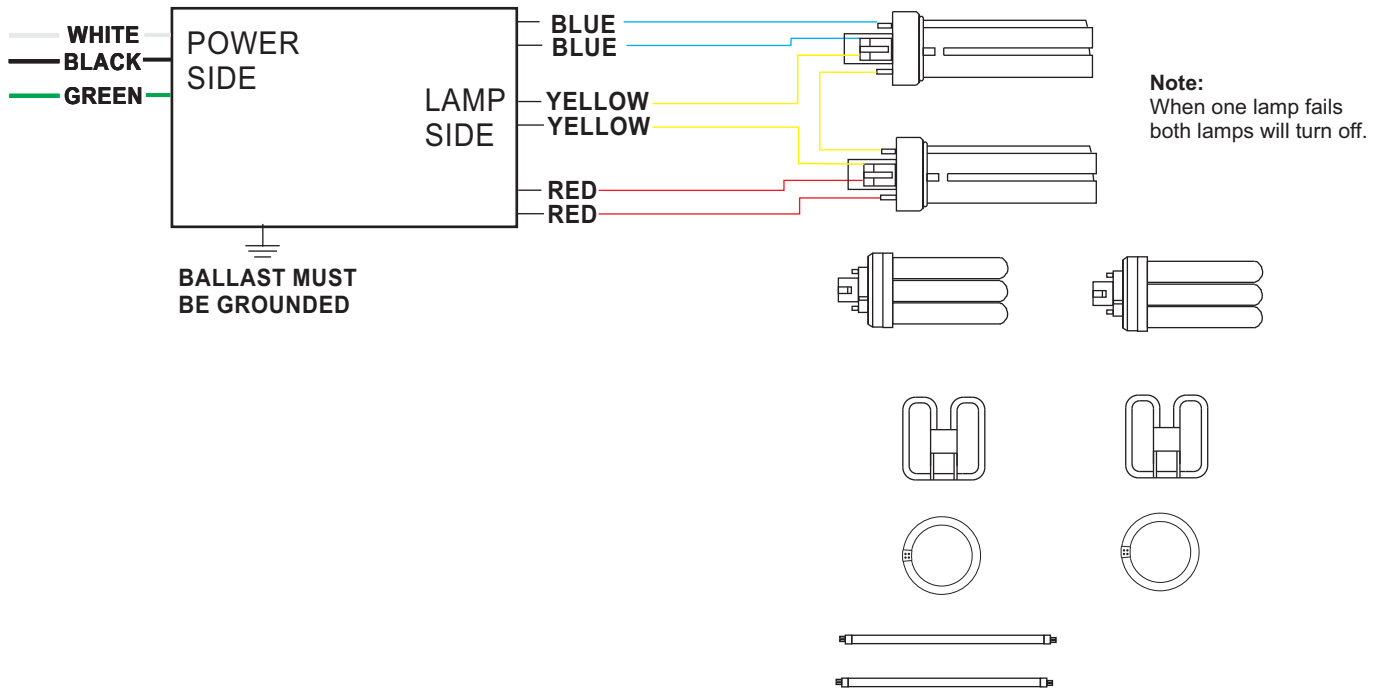


RHA-UNV-226-K

Fluorescent Lamp Wiring Diagram



One Lamp Wiring Diagram



Two Lamps Wiring Diagram

Note:

- 1.) This ballast must be grounded.
- 2.) Use 18AWG solid copper wire stripped to 3/8" with ballast push in connectors.



RoHS
COMPLIANT



RHA-UNV-226-K

Part Number Matrix

RH A - UNV - 2 26 - K

Product Line	Modified Version	Input Voltage	Number of Lamps	Lamp Power	Case Type
RH = RaceHorse	A = 1st Revision	UNV = 120V~277V	2 = 2	26 = 26W	K = Contractor Kit

Product Image

