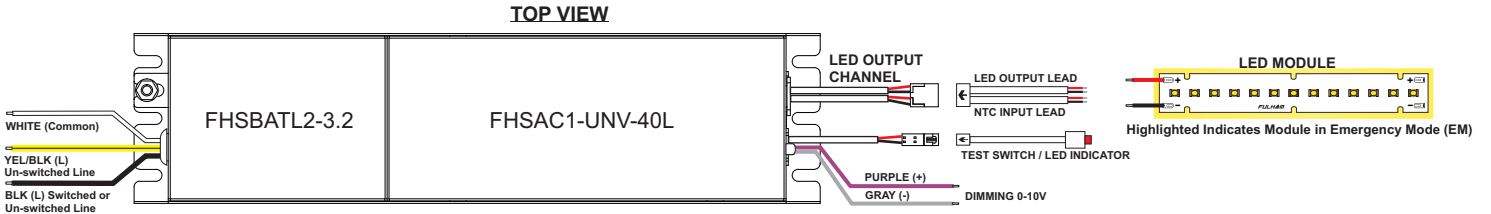


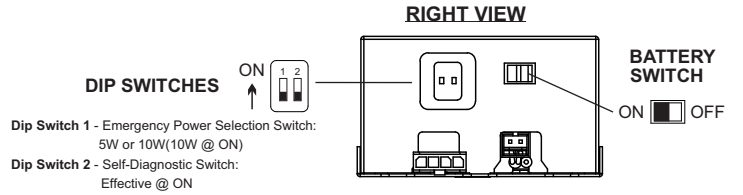
FHSAC1-UNV-40L

WIRING DIAGRAMS

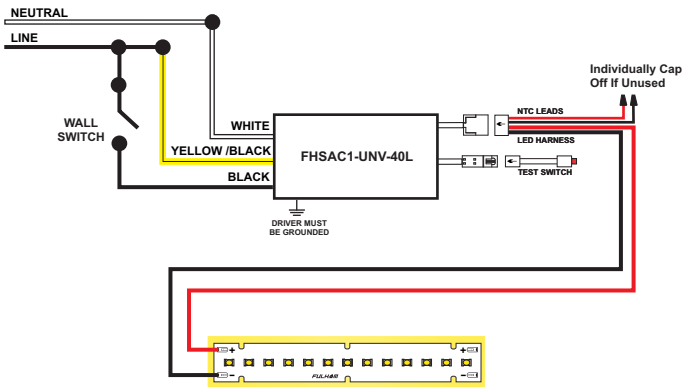


NOTE: 1.The driver must be grounded.
2.Once assembly, installation or servicing is complete, set the BATTERY SWITCH to the ON position.

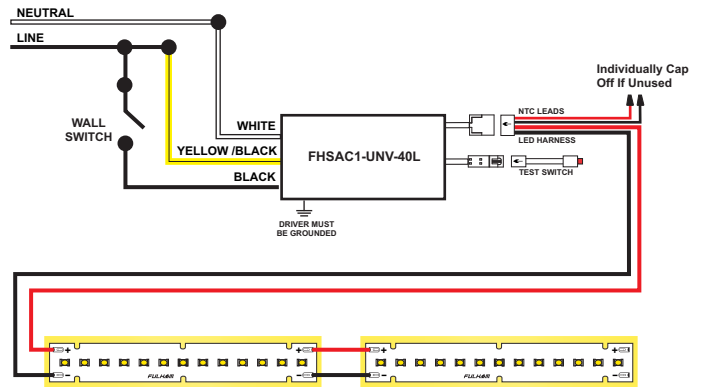
Normal Output Voltage Range: 11 – 55VDC
Normal Output Current Range: 250 – 1400mA (Programmable)
Normal Output Power: 40W max.
Emergency Power Options: 5W or 10W (Constant Power)
*For more detailed information please refer to specification sheet and installation guide.



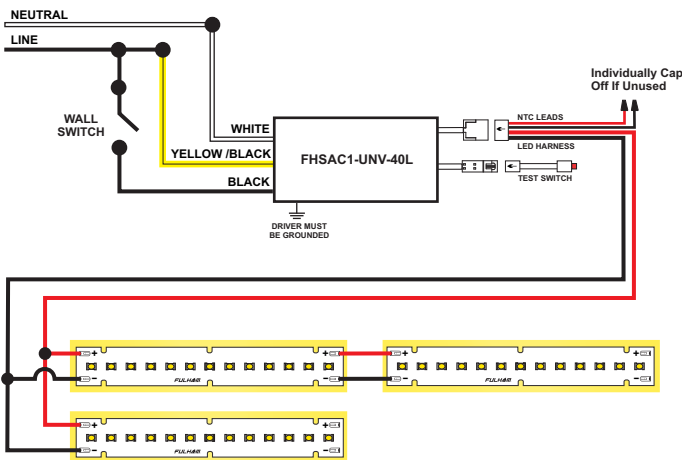
1 One (1) Modules, One (1) Emergency



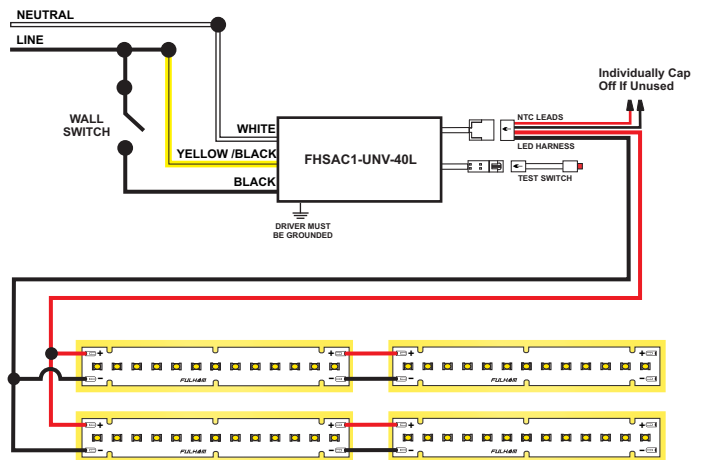
2 Parallel, Two (2) Modules, Two (2) Emergency



3 Parallel, Three (3) Modules, Three (3) Emergency



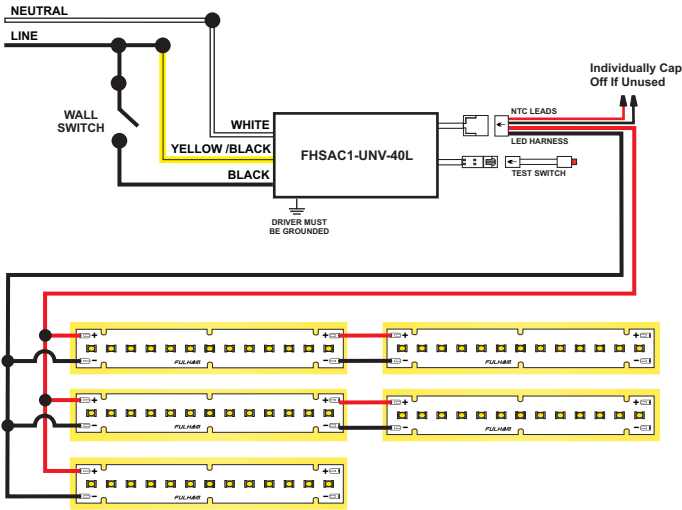
4 Parallel, Four (4) Modules, Four (4) Emergency



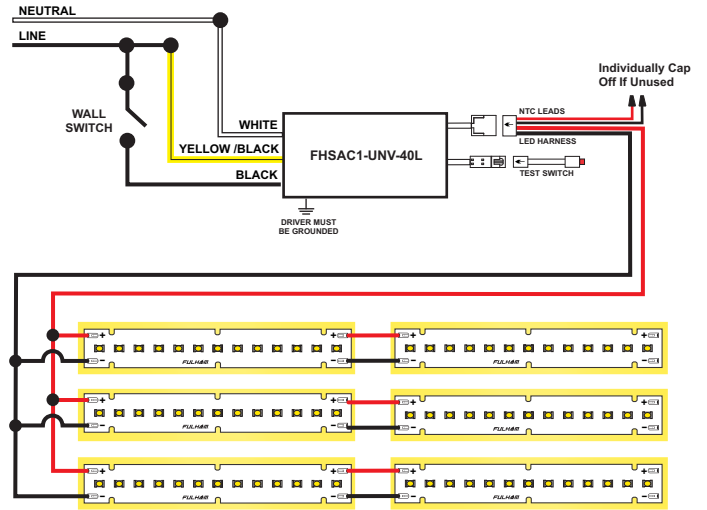
FHSAC1-UNV-40C/BLS

WIRING DIAGRAMS

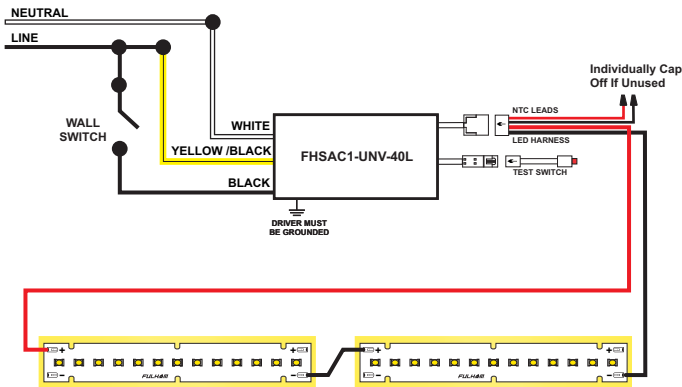
5 Parallel, Five (5) Modules, Five (5) Emergency



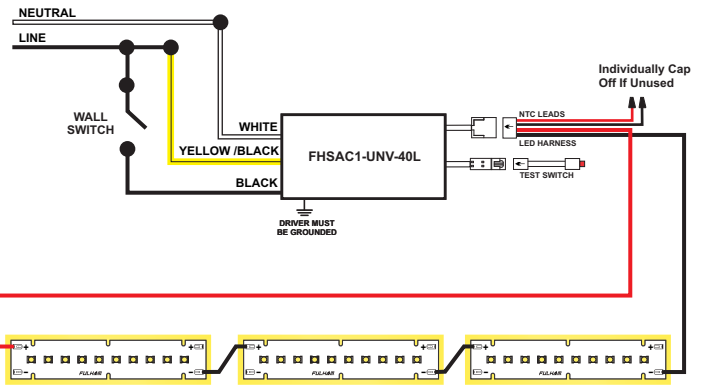
6 Parallel, Six (6) Modules, Six (6) Emergency



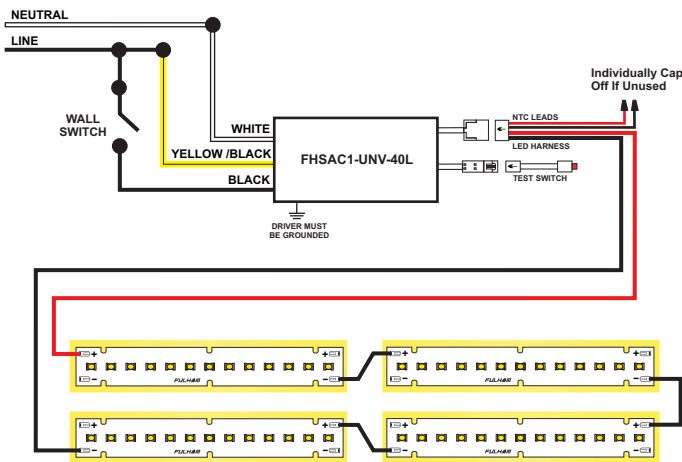
7 Series, Two (2) Modules, Two (2) Emergency



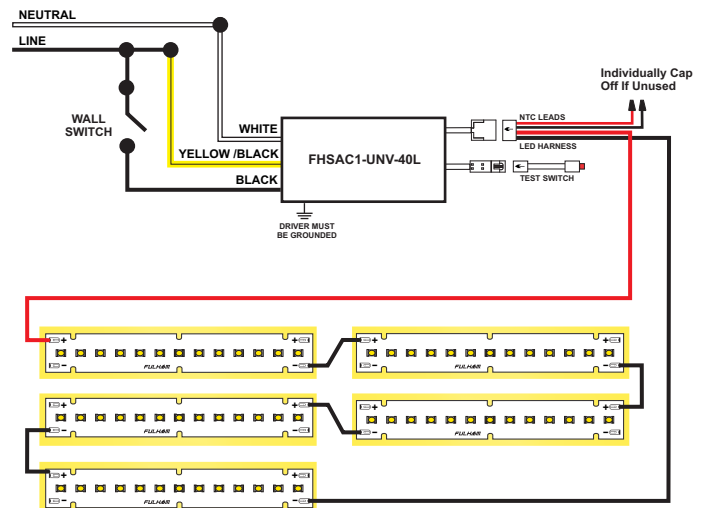
8 Series, Three (3) Modules, Three (3) Emergency



9 Series, Four (4) Modules, Four (4) Emergency



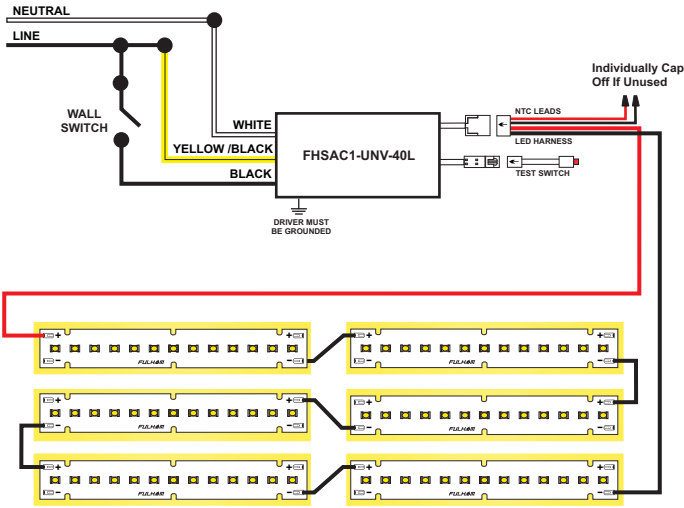
10 Series, Five (5) Modules, Five (5) Emergency



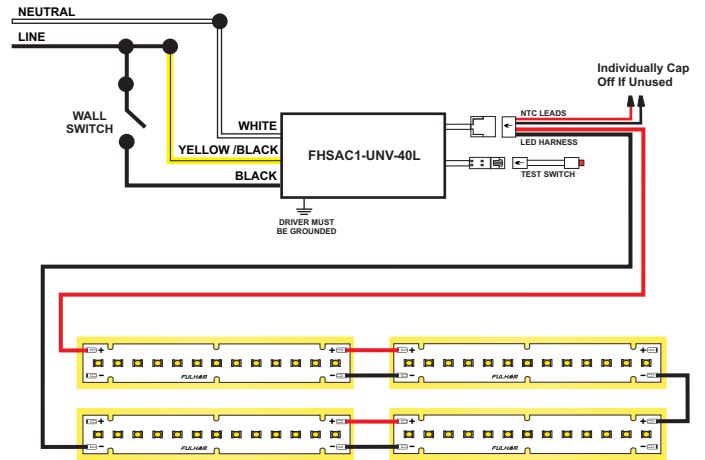
FHSAC1-UNV-40C/BLS

WIRING DIAGRAMS

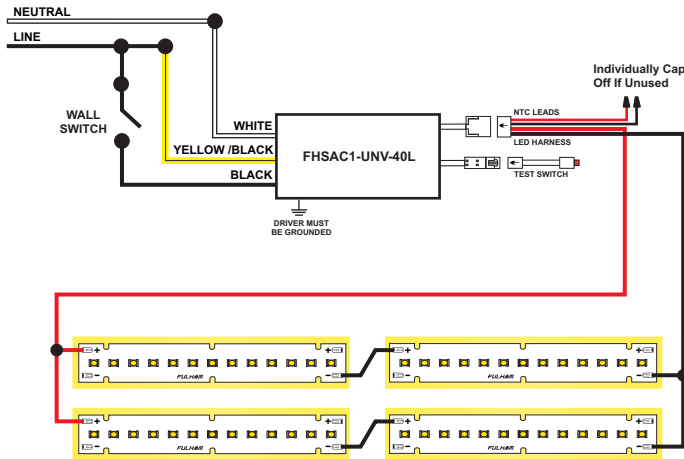
11 Series, Six (6) Modules, Six (6) Emergency



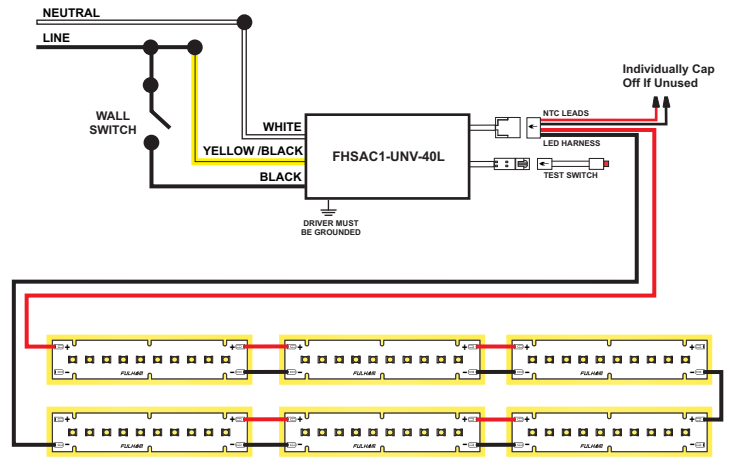
12 Series / Parallel, Four (4) Modules, Four (4) Emergency



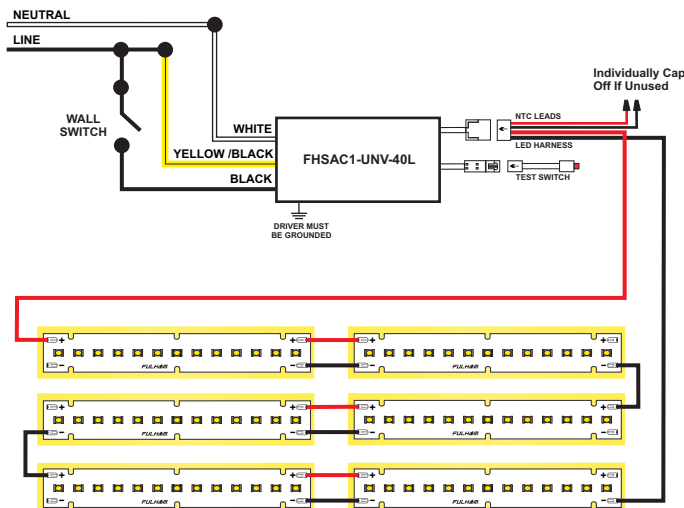
13 Series / Parallel, Four (4) Modules, Four (4) Emergency



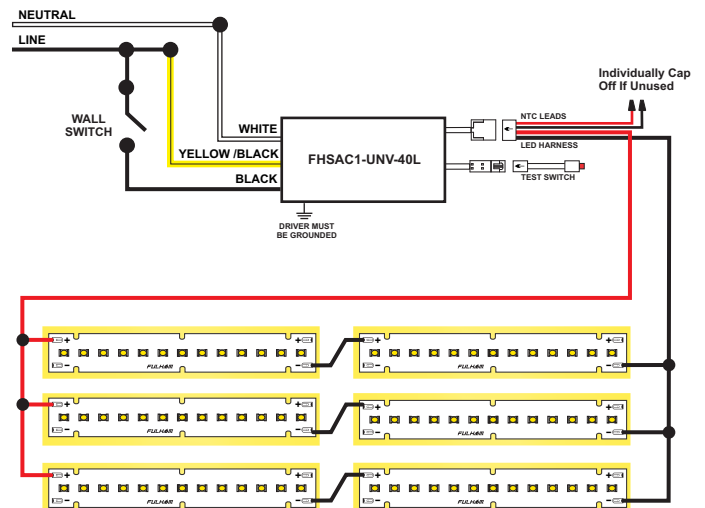
14 Series / Parallel, Six (6) Modules, Six (6) Emergency



15 Series / Parallel, Six (6) Modules, Six (6) Emergency



16 Series / Parallel, Six (6) Modules, Six (6) Emergency



FHSAC1-UNV-40C/BLS WIRING DIAGRAMS

17 Series / Parallel, Six (6) Modules, Six (6) Emergency

