



FHS-TSTWL-BC-S

IP67 **RoHS COMPLIANT**

Bi-Color Wet Location Test Switch

- Stainless Steel
- IP67 (Switch side only)

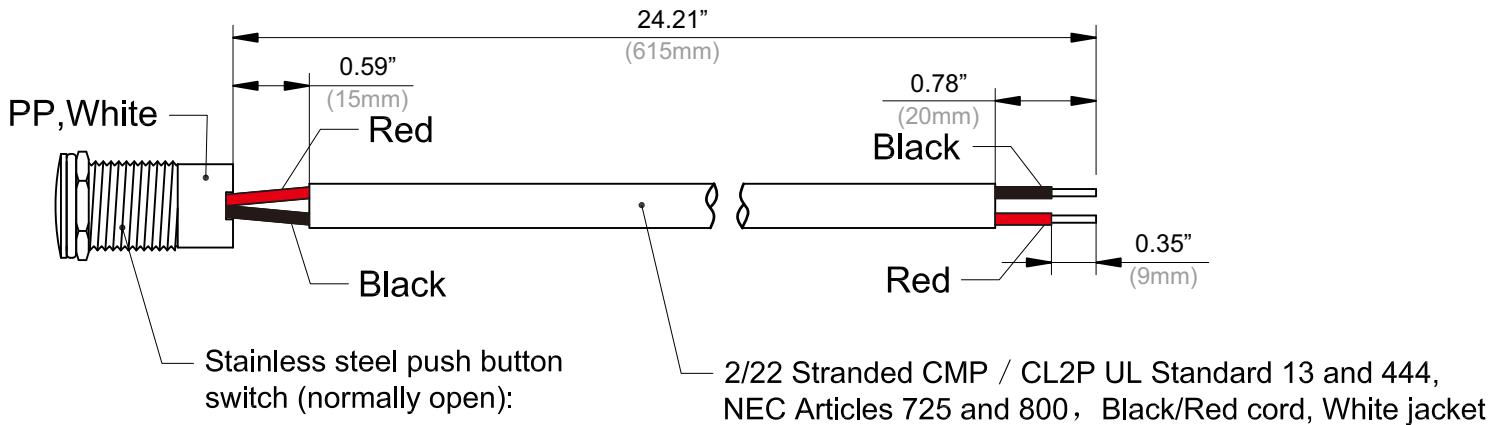
This Test Switch Will Operate The Following Fulham Emergency LED Drivers:

- FHSAC1-UNV-70S
- FHSCP-UNV-10P-S-SD

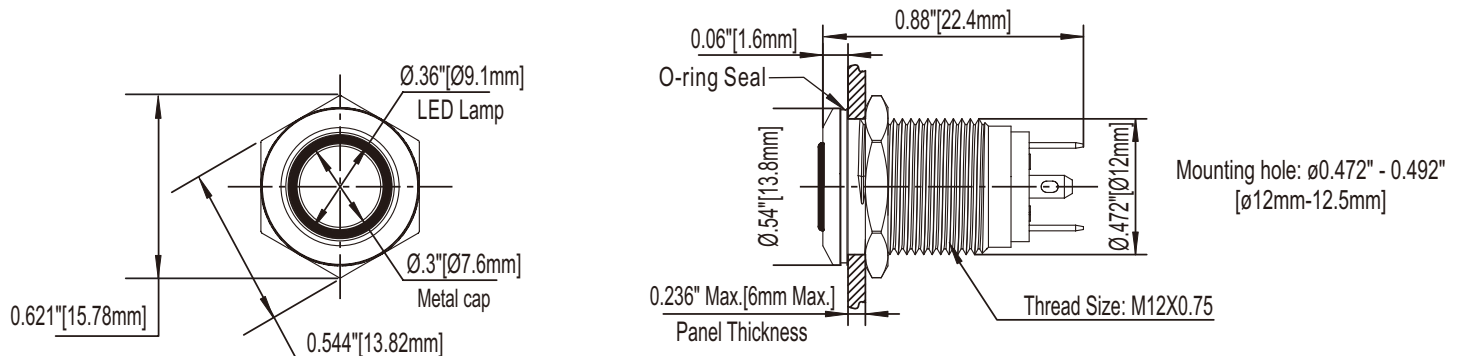
General Specifications

LED Color	Red / Green
Waterproof	IP67 (Switch side only)
Ambient Operating Temperature Rang	-25°C to 55°C (-13°F to 131°F)
Mechanical Life	>100.0000 Cycles
RoHS	Yes
Warranty	5 Years

Mechanical Drawings



Overall Switch Dimension





FHS-TSTWL-BC-S

RoHS
COMPLIANT

Part Number Matrix

FHS

LED Driver
FHS = FireHorse HotSpot

TST

Accessory Type
TST = Test Switch

WL

Accessory
WL = Wet Location Rated

BC

Accessory
BC = Bi-Color

S

Reserved
S = Stick

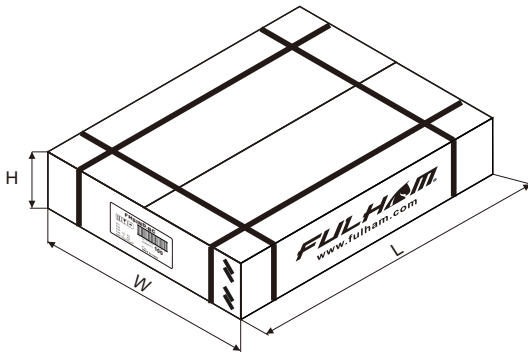
Product Image

FHS-TSTWL-BC-S



Packaging

Master Carton



OUTER DIMENSION		
L	W	H
13.38"(340mm)	9.64"(245mm)	2.55"(65mm)
Net Weight	Gross Weight	QUANTITY
3.52 lbs. (1.6 kg)	4.4 lbs. (2 kg)	100pcs.