



FHNY31



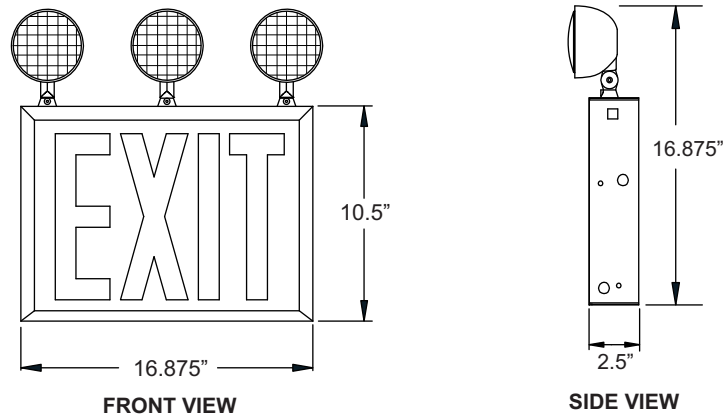
New York City Code Steel Combo Emergency Exit

- Maintenance-free, 9.6V, 2000mAh, Ni-MH battery
- Three 9.6V, 3W LED lamp heads
- Single face red letters
- Universal knock-out chevrons
- Fully adjustable glare-free heads, constructed of impact resistant thermoplastic
- Heavy duty 20 - gauge die-formed cold-rolled steel housing
- White corrosion resistant polyester powder-coat paint with knock-outs for installation
- Ideal for: stores, offices, hospitals and school corridors

General Specifications

Input Voltage	120/277VAC
Input Current (120V)	46mA
Input Current (277V)	23mA
Input Power (120V)	4.8W
Input Power (277V)	5.3W
Operating Frequency	60Hz
Operating Ambient Temperature Range (Ta)	10°C to 40°C / 50°F to 104°F
Overall Size	16.875" L x 16.875" H x 2.5" D
Emergency Operation	90 minutes
Compliance	UL 924 Listed Dry and Damp Location
Warranty	5 years from the date of manufacture

Mechanical Data



NOTE:

- 1) In order to maintain proper operation and warranty coverage, the battery must be recharged once per year prior to installation.

Part Number Matrix

FHNY31