



FHEM17



Micro Adjustable LED Square-Head Emergency Lights

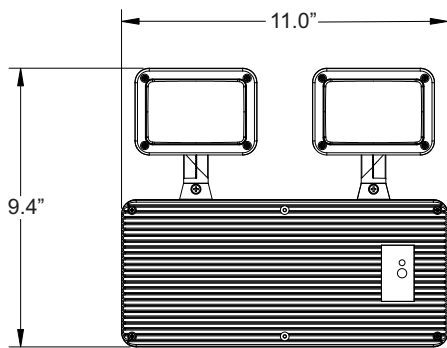
- Universal J-Box pattern knockout
- Energy saving LED
- Universal mounting plate with quick connect feature
- Fully adjustable glare free lamp head
- NiCd Premium Battery
- Constructed with impact resistant UL94 5VA white thermoplastic housing
- Dual voltage 120V/277V
- UL listed in accordance with UL924
- Two factory installed 2.2W LED Lamp Head

General Specifications

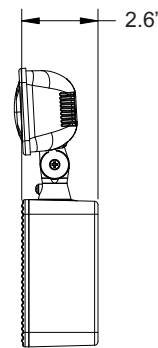
FHEM17

Input Voltage	120/277VAC
Input Current (120V)	36mA
Input Current (277V)	19mA
Input Power (120V)	4.5W
Input Power (277V)	4.5W
Operating Frequency	60Hz
Operating Ambient Temperature Range (Ta)	10°C to 40°C (50°F to 104°F)
Lumen Output	800 lumens
Overall Size	11" L x 9.4" H x 2.6"
Emergency Operation	90 minutes
Compliance	UL924 Listed Damp Location
Warranty	5 years from the date of manufacture

Mechanical Data



FRONT VIEW



SIDE VIEW

NOTE:

- 1) In order to maintain proper operation and warranty coverage, the battery must be recharged once per year prior to installation.

Part Number Matrix

FHEM17

Master Carton Quantity: 6pc