



# FHEM10



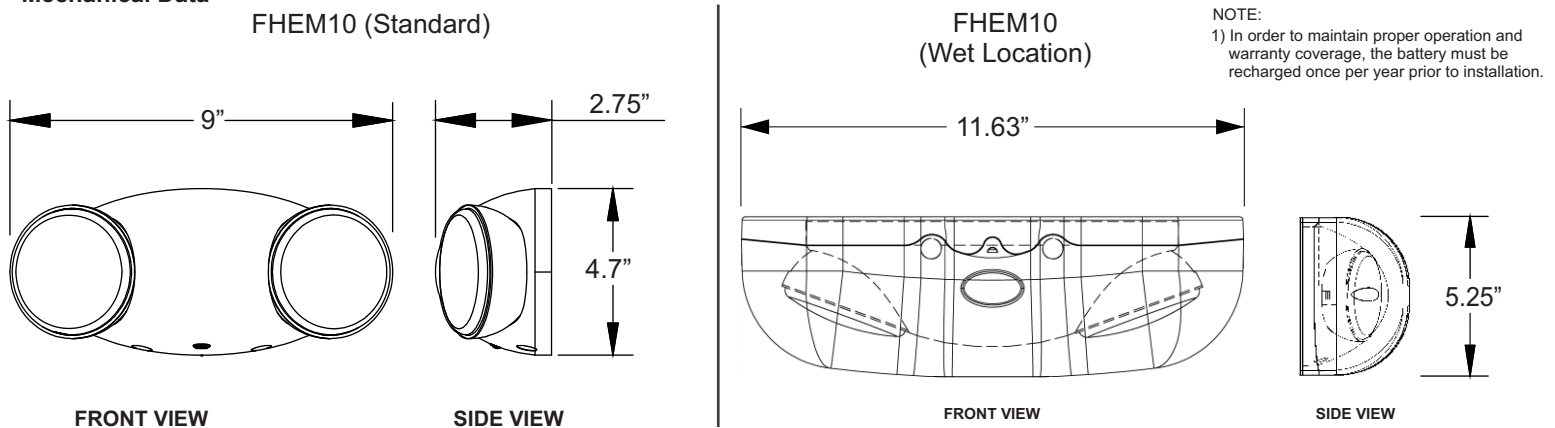
## Thermoplastic Micro Adjustable Emergency Lights

- Push-to-test switch
- LED charge indicator
- Ni-Cad premium battery
- Dual voltage 120V/277V
- Specification grade design
- Universal mount
- Long life energy saving LED light source
- Fully adjustable glare free 1.55W LED heads (1.64W heads on High Lumen model)
- Universal mounting pattern knockout in backplate for J-box mounting
- Snap fit construction speeds installation

### General Specifications

	Standard	High Lumen
Input Voltage	120/277VAC	120/277VAC
Input Current (120V)	89.8mA	103mA
Input Current (277V)	73.6mA	105mA
Input Power (120V)	0.56W	0.85W
Input Power (277V)	0.54W	0.80W
Operating Frequency	60Hz	60Hz
Operating Ambient Temperature Range (Ta)	20°C to 30°C / 68°F to 86°F	
Max Initial Light Output	148 lumens standard model 264 lumens high output model 197.4 lumens wet location high output model	
Overall Size	9" L x 4.7" H x 2.75" W FHEM10WH: 11.63" L x 5.25" H x 4" W	
Emergency Operation	90 minutes	
Compliance	UL 924 Listed CEC Title 20 Damp and Wet Location	
Warranty	5 years from the date of manufacture	

### Mechanical Data



### Part Number Matrix

# FHEM10

# W

Case Color  
**W** = White  
**B** = Black

Options  
**Blank** = Standard  
**H** = High Output  
**W** = Wet Location (Only offered with High Output option)